

Table 4

Cat. No.	Models		Rated voltage (V)	Rated current (A)	Dimensions/size (mm)		Weight (g)
	MIRO	Cross-reference			Sizes	Fig.	
0401	NH00C	-	500/690	10-100	000	See Figure 4.1	138

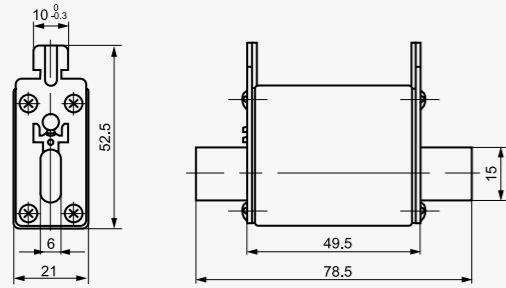


Figure 4.1

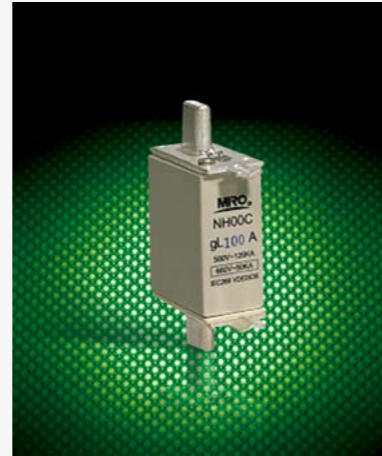


Table 4 (cont.)

Cat. No.	Models		Rated voltage (V)	Rated current (A)	Dimensions/size (mm)	Weight (g)
	MIRO	Cross-reference				
0402	NH00	RS31	500/690	10-160	00	4.2 78 50.5 15 30 60 201
0403	NH0	-	500/690	6-160	0	4.2 125 67 15 30 60 267

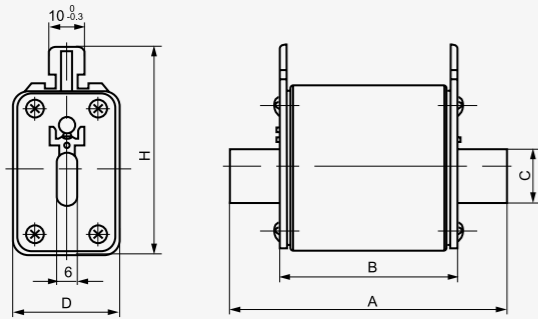


Figure 4.2



Table 4 (cont.)

Cat. No.	Models		Rated voltage (V)	Rated current (A)	Dimensions/size (mm)	Weight (g)		
	MIRO	Cross-reference					Sizes	Fig.
0404	NH1	RS32	500/690	32-250	1	4.3 135 68 20 46 58 447		
0405	NH2	RS33	500/690	80-400	2	4.3 150 68 30 58 68 727		
0406	NH3	RS34	500/690	160-630	3	4.3 150 68 36 70 82 975		

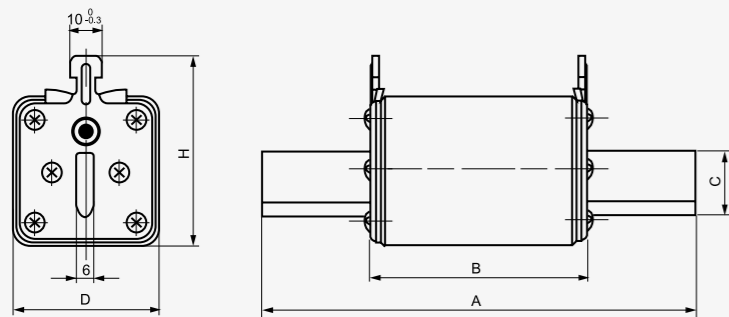


Figure 4.3



Table 4 (cont.)

Cat. No.	Models		Rated voltage (V)	Rated current (A)	Dimensions/size (mm)		Weight (g)
	MIRO	Cross-reference			Sizes	Fig.	
0407	NH1	-	500/690	16-160	1	See Figure 4.4	312

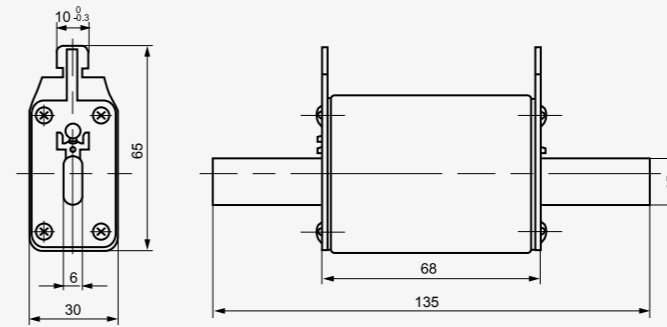


Figure 4.4



Table 4 (cont.)

Cat. No.	Models		Rated voltage (V)	Rated current (A)	Dimensions/size (mm)	Weight (g)		
	MIRO	Cross-reference					Sizes	Fig.
0408	NH2	-	500/690	35-250	2	4.5 150 67 20 46 67 458		
0409	NH3	-	500/690	200-400	3	4.5 150 67 30 58 81 727		

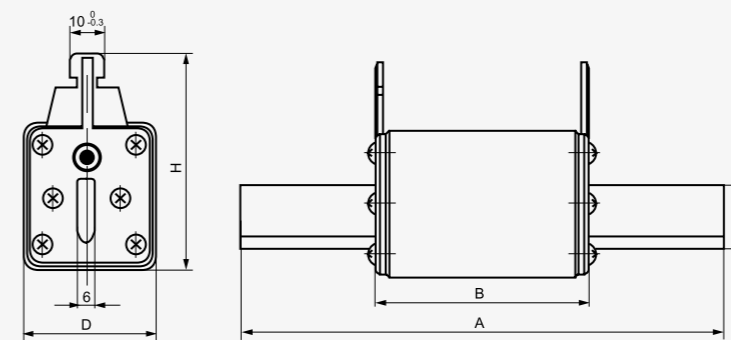


Figure 4.5

